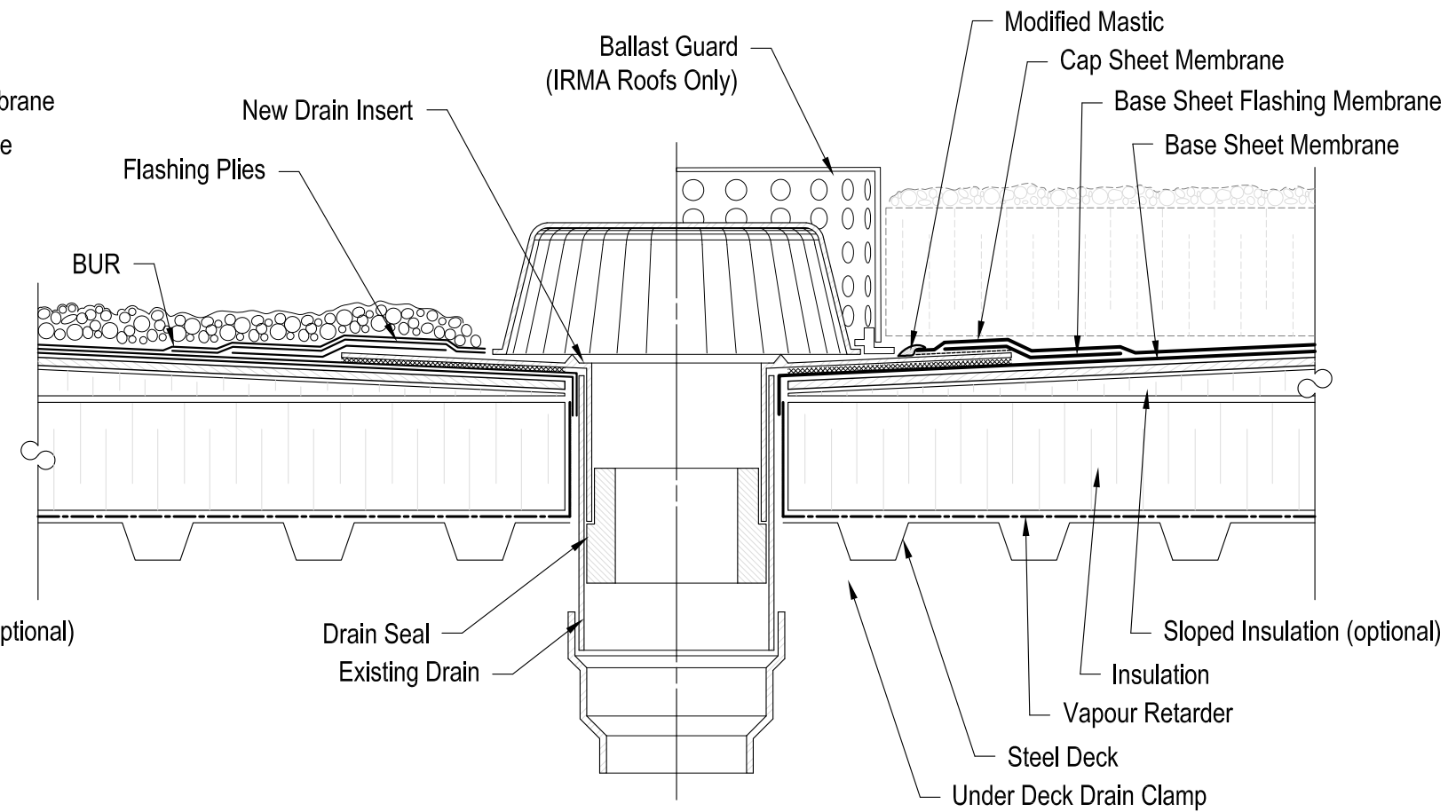
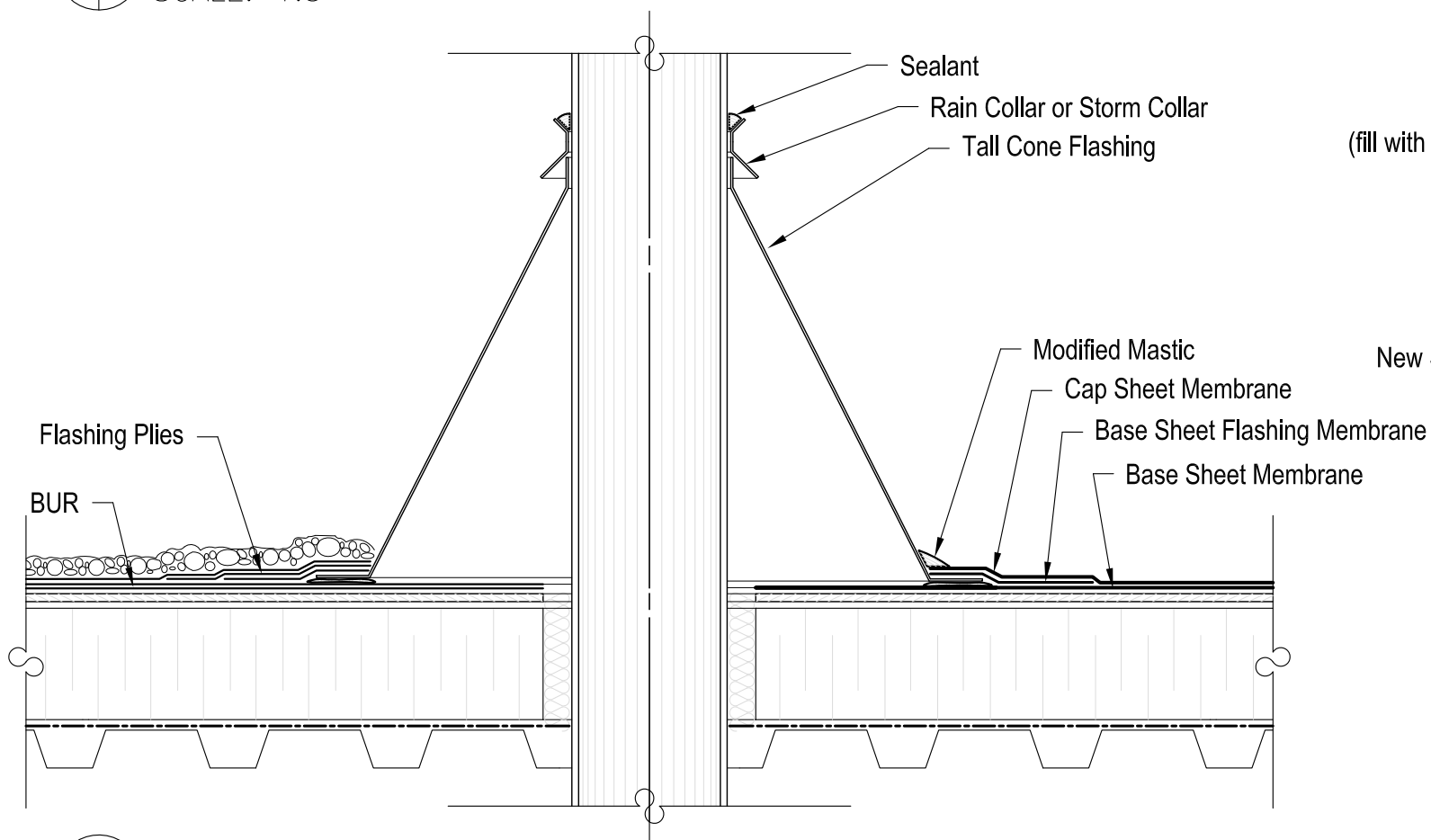


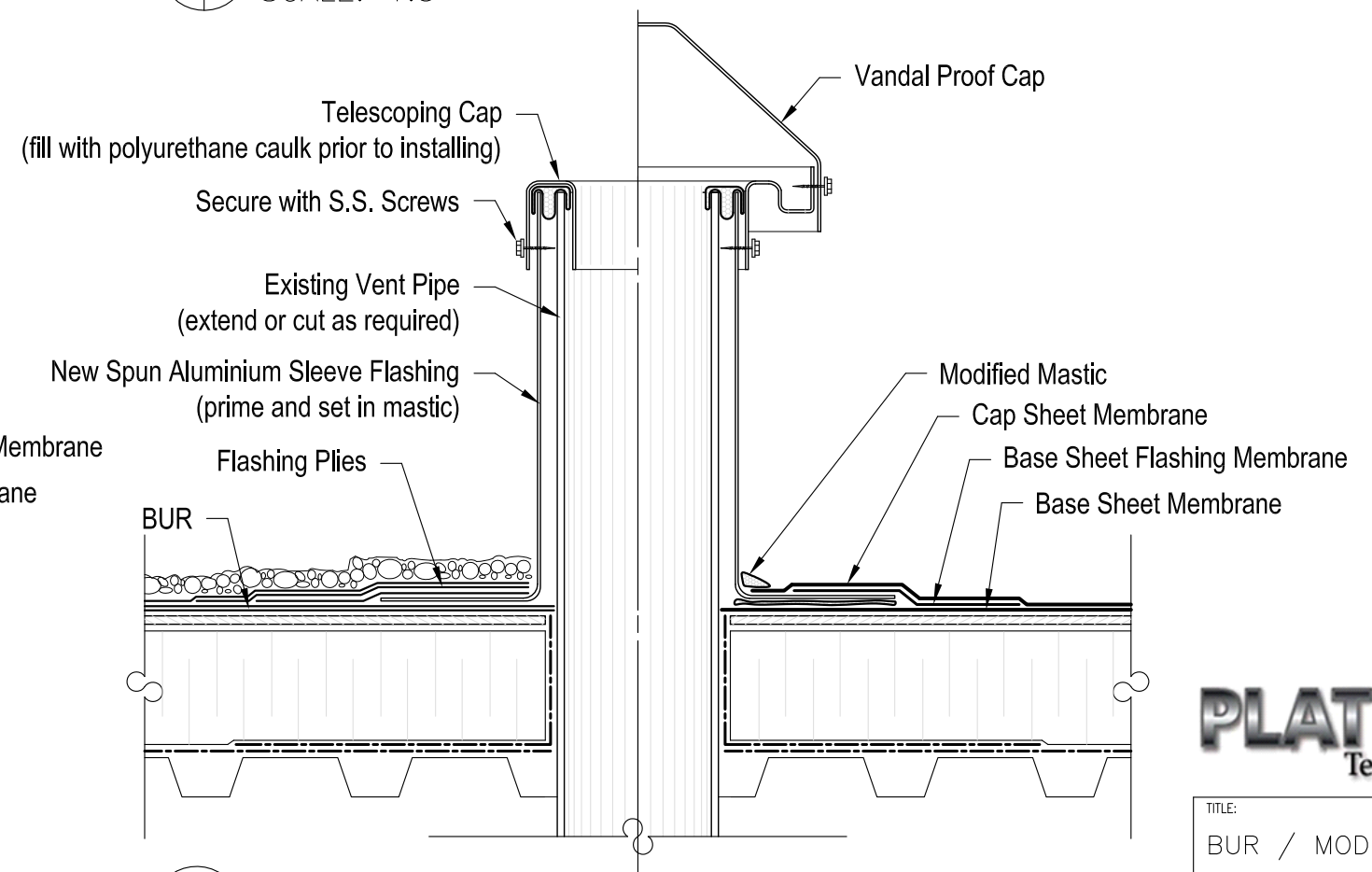
1A ROOF DRAIN TERMINATION (NEW CONSTRUCTION)
SCALE: 1:5



2A ROOF DRAIN TERMINATION (REROOFING)
SCALE: 1:5



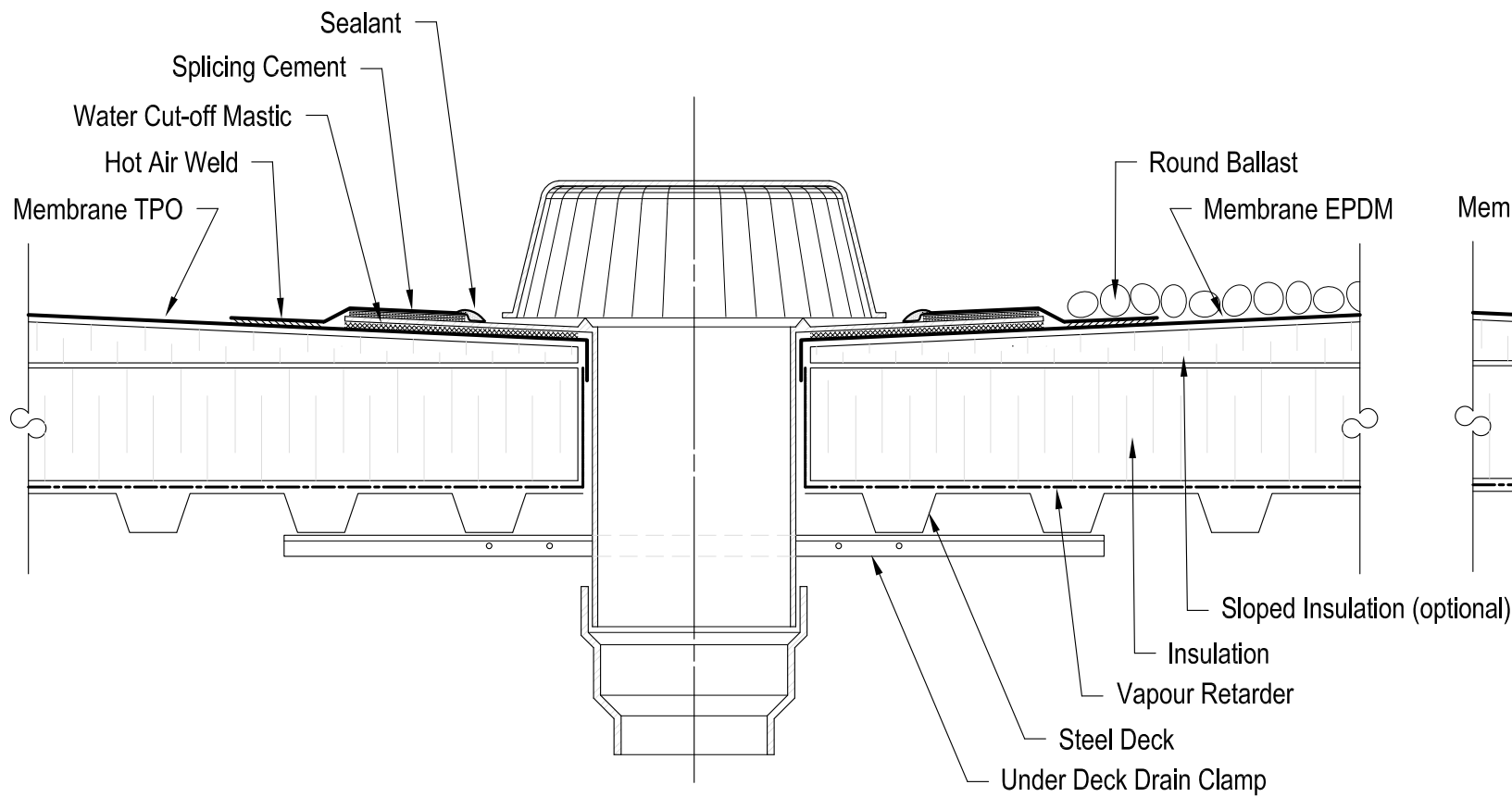
3A TALL CONE FLASHING
SCALE: 1:5



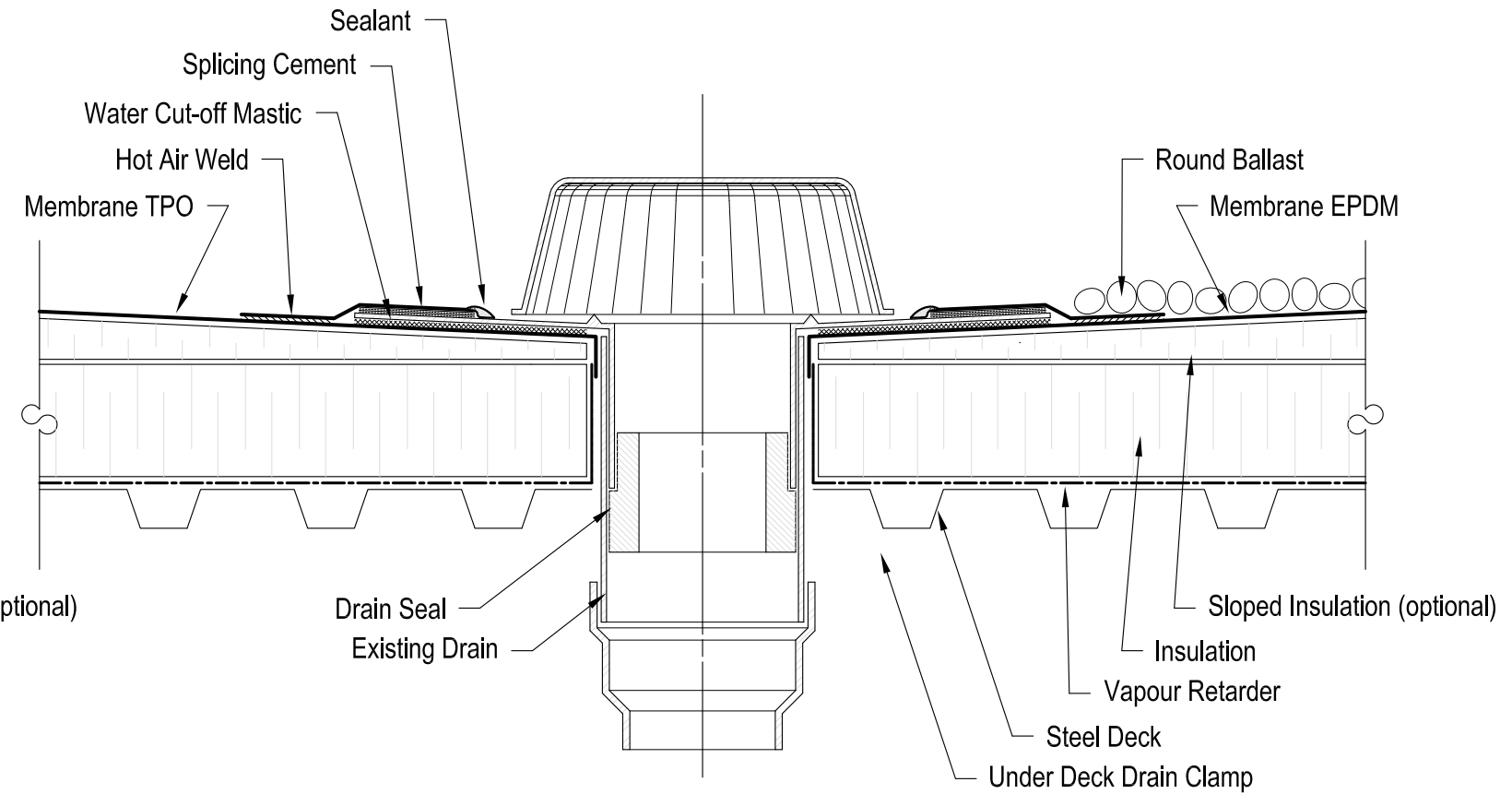
4A PLUMBING VENT DETAIL
SCALE: 1:5

PLATINUM
Technologies Ltd.

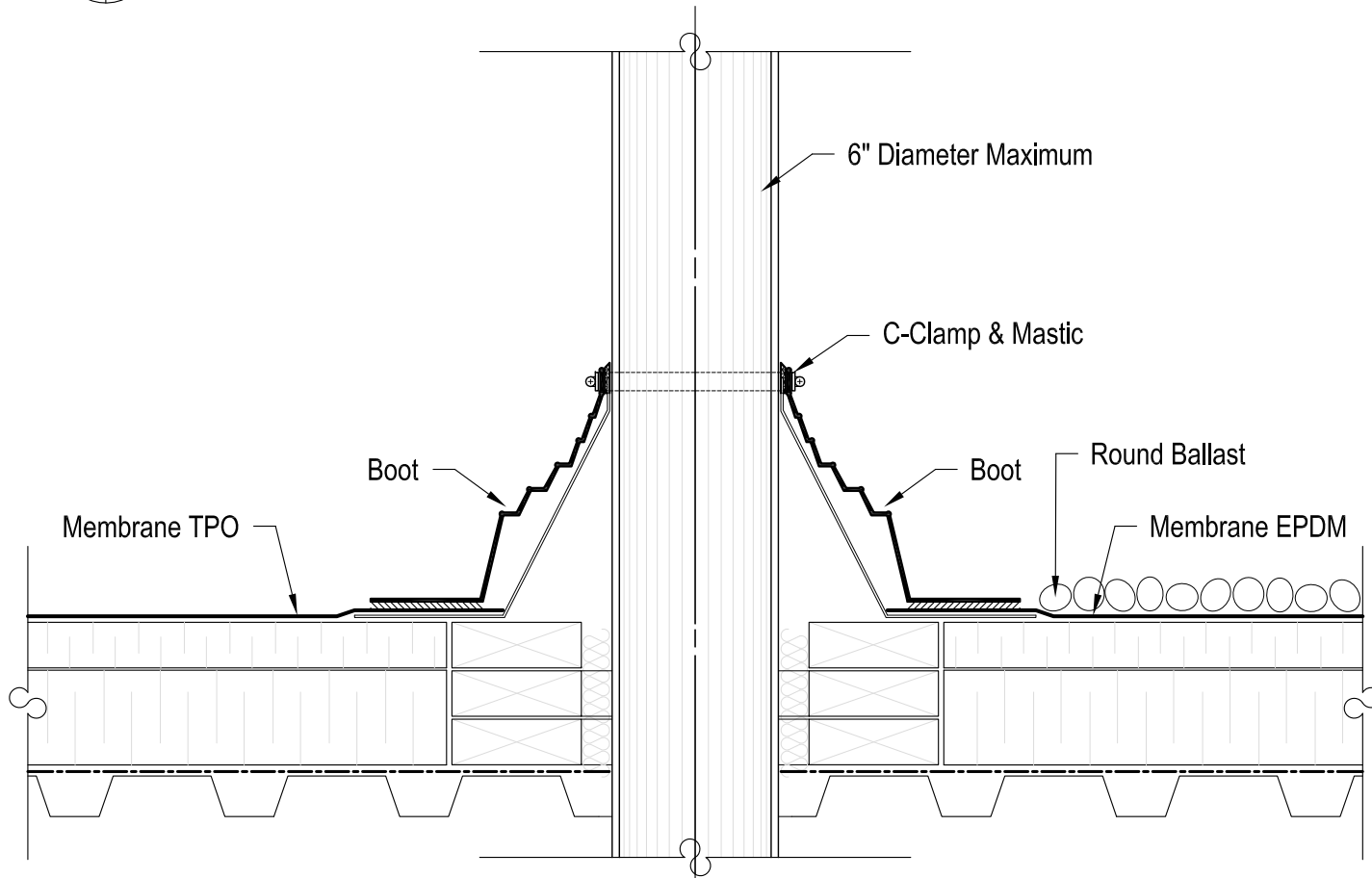
TITLE: BUR / MOD-BIT DETAILS		
PAGE NO. A1	DRAWN: R.S.	DATE: 04/09/2013



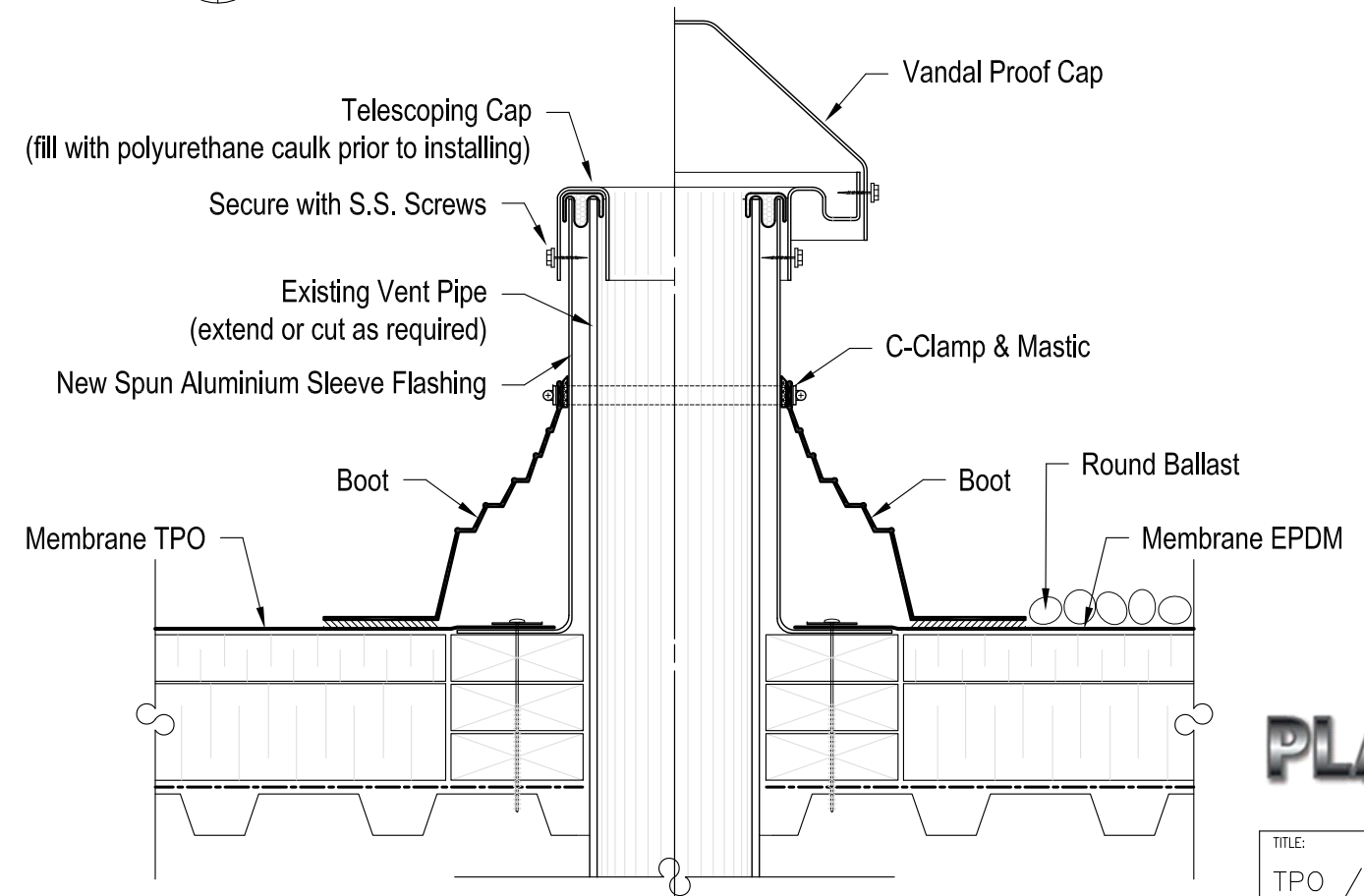
1B ROOF DRAIN TERMINATION (NEW CONSTRUCTION)
SCALE: 1:5



2B ROOF DRAIN TERMINATION (REROOFING)
SCALE: 1:5



3B TALL CONE FLASHING (6" OR LESS IN DIAMETER)
SCALE: 1:5



4B PLUMBING VENT DETAIL
SCALE: 1:5

PLATINUM
Technologies Ltd.

TITLE: TPO / EPDM DETAILS		
PAGE NO. B1	DRAWN: R.S.	DATE: 04/11/2013